

AMD

1,2 MPa (12 bar)

Port sizes: 3/4" - 1" 1/2
Flow rates: 7 ÷ 375 l/min.

TECHNICAL DATA

Max. working pressure: 1,2 MPa (12 bar)
Max. test pressure: 1,5 MPa (15 bar)
Bursting pressure: 2,5 MPa (25 bar)
Fatigue test: 0 ÷ 1,2 MPa (12 bar) / 100.000 cycles
Bypass valve: 170 kPa (1,7 bar) ± 10%
Filter element collapse pressure:
standard: Δp 400 kPa (4 bar) all types

Working temperature: -25 ÷ +110°C

MATERIALS

Head: aluminium
Seals: standard NBR
on request FKM

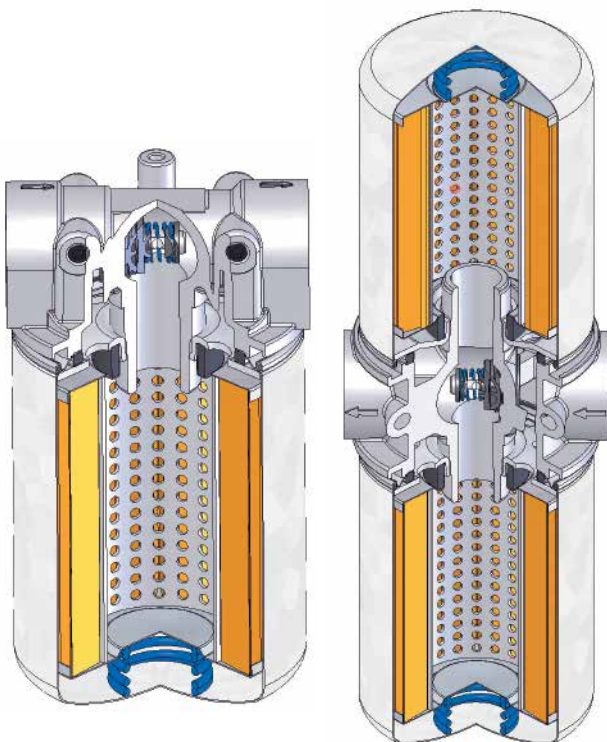
COMPATIBILITY (ISO 2943:1999)

Full with fluids: HH-HL-HM-HV-HTG
(according to ISO 6743/4).
For fluids different than the above mentioned,
please contact our Sales Department.

All tests performed according
to the following standards:

ISO 2941: Element collapse resistance test
ISO 2942: Production integrity test
ISO 2943: Fluids compatibility
ISO 3723: End load test method
ISO 3724: Flow fatigue resistance method
ISO 3968: Pressure drop versus flow rate
ISO 16889: Multipass test.

For further information contact our Technical Dept.

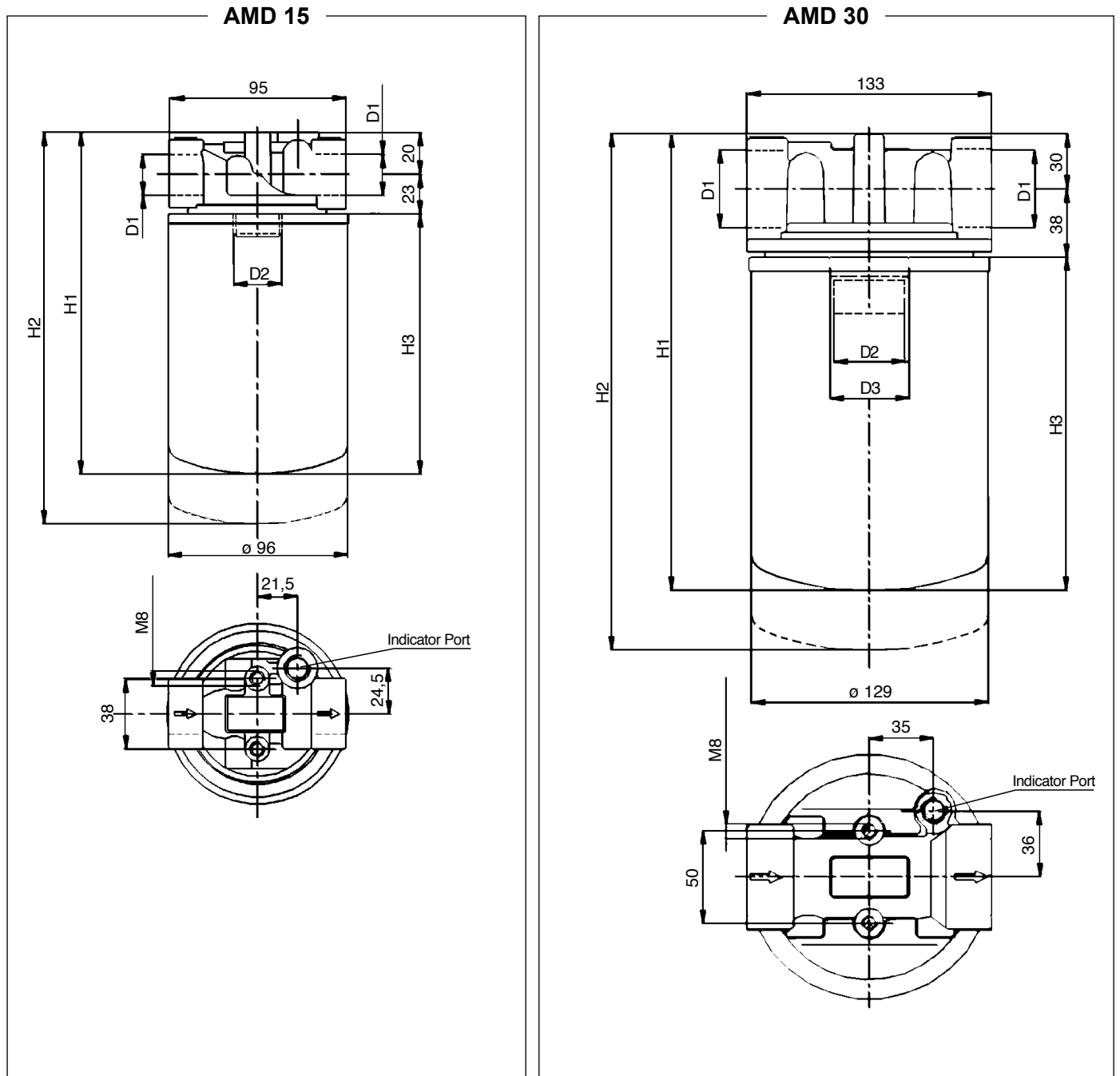


Type										Type	
AMD	Complete Filter									CCA	
BMD	Without can	AMF 601 & 801 > 2CCA301 AMF 602 & 802 > 2CCA302									
		151	152	301	302	601	602	801	802		
Filter media										Filter media	
FT = 5µm(c)	Inorganic fibres β>1000	FT	FT	FT	FT	FT	FT	FT	FT	FT = 5µm(c)	Inorganic fibres β>1000
FC = 7µm(c)		FC	FC	FC	FC	FC	FC	FC	FC	FC = 7µm(c)	
FD = 12µm(c)		FD	FD	FD	FD	FD	FD	FD	FD	FD = 12µm(c)	
FV = 21µm(c)		FV	FV	FV	FV	FV	FV	FV	FV	FV = 21µm(c)	
CD = 10µ	Paper	CD	CD	CD	CD	CD	CD	CD	CD	CD = 10µ	Paper
CV = 25µ		CV	CV	CV	CV	CV	CV	CV	CV	CV = 25µ	
MS = 60µ	Steel wire mesh	MS	MS	MS	MS	MS	MS	MS	MS	MS = 60µ	Steel wire mesh
MN = 90µ		MN	MN	MN	MN	MN	MN	MN	MN	MN = 90µ	
Seals										Seals	
1 = NBR Nitrile		1	1	1	1	1	1	1	1	1 = NBR Nitrile	
2 = FKM Fluoroelastomer		2	2	2	2	2	2	2	2	2 = FKM Fluoroelastomer	
Bypass type											
S = Without		S	S	S	S	S	S	S	S		
B = Bypass 170 kPa (1,7 bar)		B	B	B	B	B	B	B	B		
Ports											
B = BSP		B	B	B	B	B	B	B	B		
F = SAE flange 3000 psi		-	-	-	-	-	-	F	F		
Port size											
4 = 3/4"		4	4	-	-	-	-	-	-		
6 = 1" 1/4		-	-	6	6	-	-	-	-		
7 = 1" 1/2"		-	-	-	-	7	7	7	7		
Indicators											
0U = Port, plugged		0U	0U	0U	0U	-	-	-	-		
U0 = Visual differential 130 kPa (1,3 bar)		U0	U0	U0	U0	-	-	-	-		
N0 = Electrical differential 130 kPa (1,3 bar)		N0	N0	N0	N0	-	-	-	-		
03 = Port, plugged		-	-	-	-	03	03	03	03		
5B = Visual differential 130 kPa (1,3 bar)		-	-	-	-	5B	5B	5B	5B		
6B = Electrical differential 130 kPa (1,3 bar)		-	-	-	-	6B	6B	6B	6B		
7B = 6B with LED		-	-	-	-	7B	7B	7B	7B		
T0 = Electrical 130 kPa (1,3 bar) with thermostat 30°C		-	-	-	-	T0	T0	T0	T0	Indicator 70 on request only	
Accessories											
XX = No accessory available		XX	XX	XX	XX	XX	XX	XX	XX		

When the filter is ordered with FKM seals, the first digit of the indicator code is a letter (please see page 188-189).

DIMENSIONAL LAYOUT

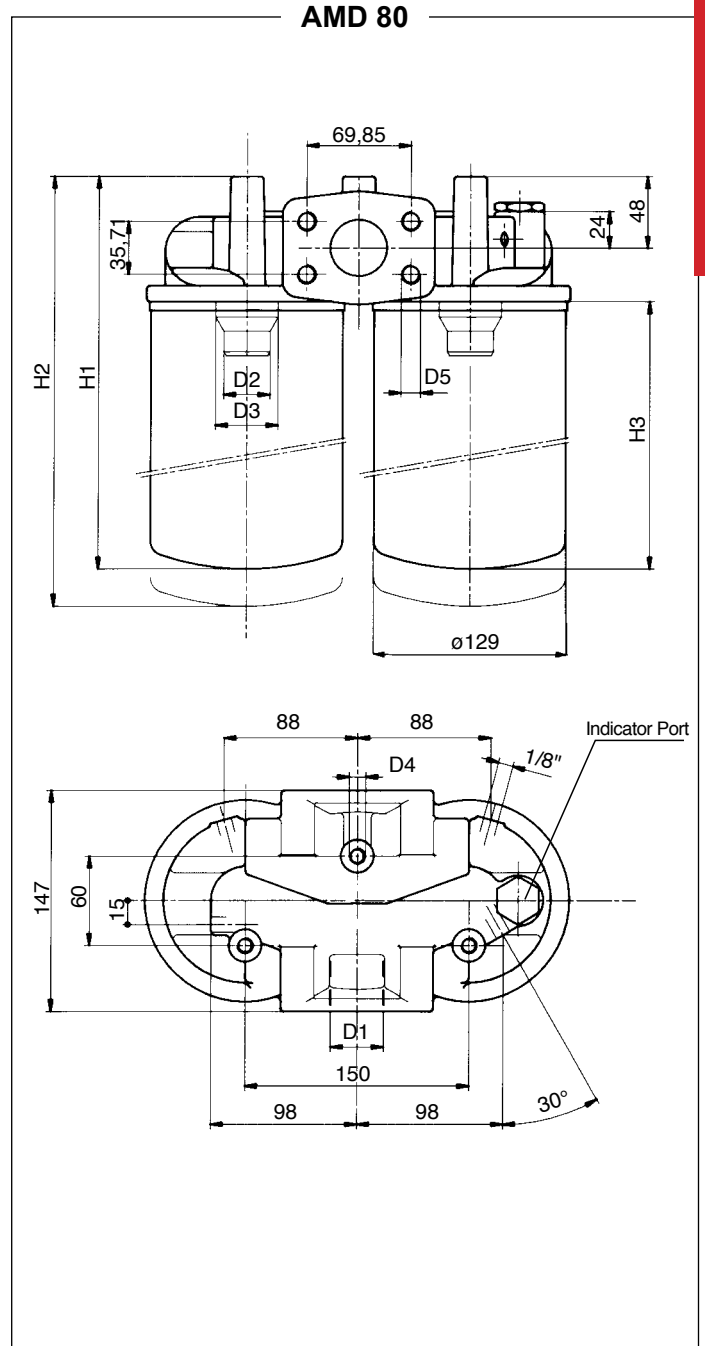
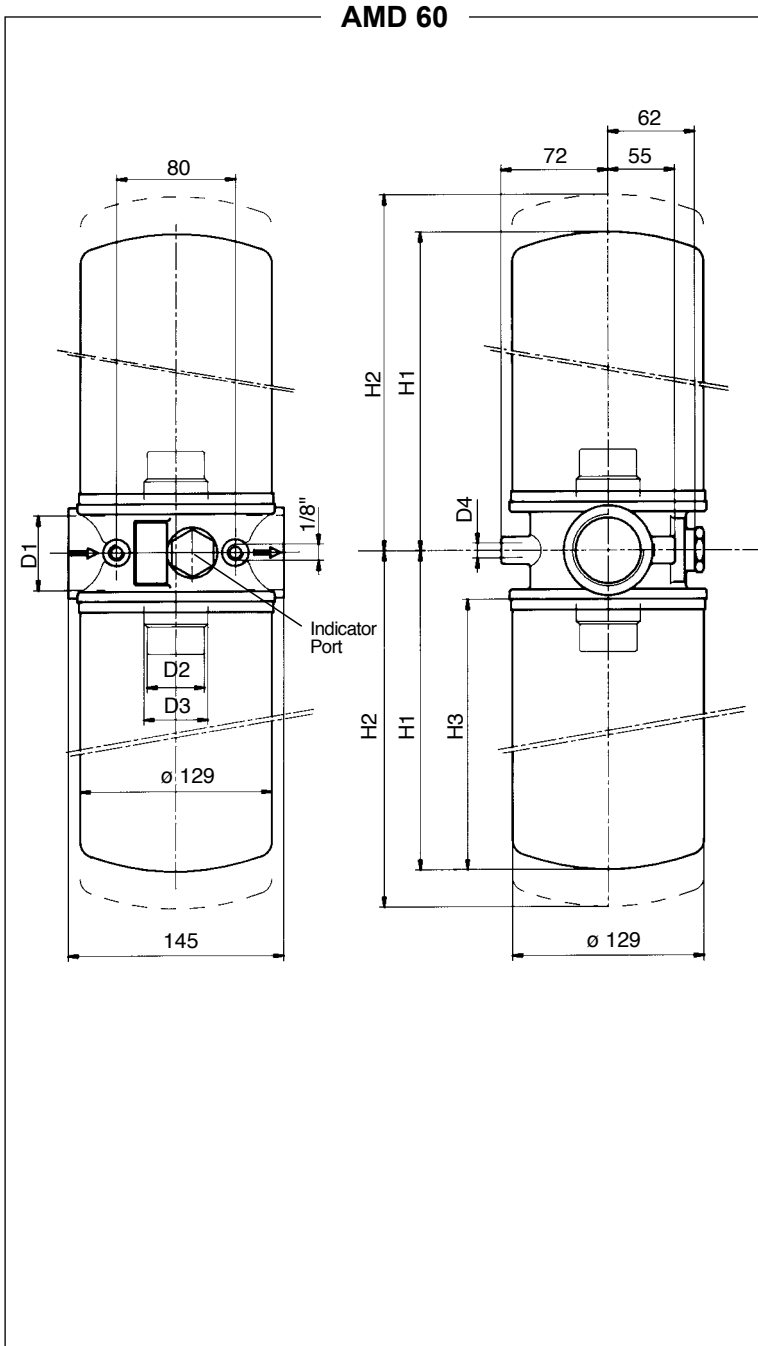
(mm)



Type	D1	D2	D3	D4	H1	H2	H3	Weight Kg
AMD 151...B	3/4" BSP	3/4" BSP	-	M8	188	208	145	0,8
AMD 152...B	3/4" BSP	3/4" BSP	-	M8	234	254	191	0,9
AMD 301...B	1" 1/4 BSP	1" 1/2 16-UNF	1" 1/4 BSP	M8	248	278	181	1,8
AMD 302...B	1" 1/4 BSP	1" 1/2 16-UNF	1" 1/4 BSP	M8	293	323	226	1,9

DIMENSIONAL LAYOUT

(mm)



Type	D1	D2	D3	D4	D5	H1	H2	H3	Weight Kg
AMD 601...B	1" 1/2 BSP	1" 1/2 16 - UN	1" 1/4 BSP	M10	-	216	246	181	3,4
AMD 602...B	1" 1/2 BSP	1" 1/2 16 - UN	1" 1/4 BSP	M10	-	261	291	226	3,8
AMD 801...B	1" 1/2 BSP	1" 1/2 16-UN	1" 1/4 BSP	M10	-	269	299	181	4,7
AMD 802...B	1" 1/2 BSP	1" 1/2 16-UN	1" 1/4 BSP	M10	-	314	344	226	5,1
AMD 801...F	1" 1/2 SAE 3000	1" 1/2 16-UN	1" 1/4 BSP	M10	M12	269	299	181	4,7
AMD 802...F	1" 1/2 SAE 3000	1" 1/2 16-UN	1" 1/4 BSP	M10	M12	314	344	226	5,1

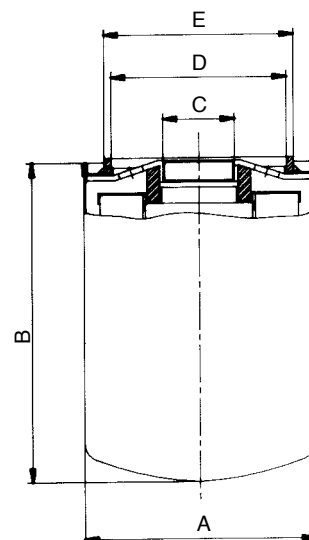
CLOGGING INDICATORS

NBR	FKM	Differential ELECTRICAL indicator	
N0	S0	Setting 130 kPa (1,3 bar)	
SPDT differential switch. C.C. 14 - 30 V: > max resistive or inductive load 4 - 3 A respectively C.A. 125-250 V: > max resistive or inductive load 1 A - Protection IP65 - Connector DIN 43650			
NBR	FKM	Differential VISUAL indicator	
U0	W0	Setting 130 kPa (1,3 bar)	
NBR	FKM	Differential VISUAL indicator	Recommended tightening torque 90 Nm
5B	AB	Setting 130 kPa (1,3 bar)	
NBR	FKM	Differential ELECTRICAL indicator	Recommended tightening torque 90 Nm
6B	CB	Setting 130 kPa (1,3 bar)	
SPDT differential switch. C.C. 14 - 30 V: > max resistive or inductive load 4 - 3 A respectively C.A. 125-250 V: > max resistive or inductive load 1 A - Protection IP65 - Connector DIN 43650			
NBR	FKM	Differential ELECTRICAL indicator with LED (24V) for visual indication	Recommended tightening torque 90 Nm
7B	EB	Setting 130 kPa (1,3 bar)	
SPDT differential switch. C.C. 14 - 30 V: > max resistive or inductive load 4 - 3 A respectively C.A. 125-250 V: > max resistive or inductive load 1 A - Protection IP65 - Connector DIN 43650			
NBR	FKM	Differential ELECTRICAL indicator with THERMOSTAT 30°C	Recommended tightening torque 90 Nm
T0	DB	Setting 130 kPa (1,3 bar)	
SPDT differential switch. C.C. 14 - 30 V: > max resistive or inductive load 4 - 3 A respectively C.A. 125-250 V: > max resistive or inductive load 1 A - Protection IP65 - Connector DIN 43650			
NBR	FKM	Differential VISUAL ELECTRICAL indicator	Recommended tightening torque 90 Nm
70	E0	Setting 130 kPa (1,3 bar)	
SPDT differential switch. C.C. 14 - 30 V: > max resistive or inductive load 4 - 3 A respectively C.A. 125-250 V: > max resistive or inductive load 1 A - Protection IP65 - Connector DIN 43650			

SPIN-ON ELEMENTS DIMENSIONAL LAYOUT

(mm)

Type	A	B	C	D	E	Weight Kg
CCA 151 ...	95	145	3/4" BSP	62	72	0,6
CCA 152 ...	95	191	3/4" BSP	62	72	0,7
CCA 301 ...	129	181	1" 1/4 BSP	98	108	1,15
CCA 302 ...	129	226	1" 1/4 BSP	98	108	1,4



FLOW RATES

(l/min)

Type	Media							
	FT	FC	FD	FV	CD	CV	MS	MN
AMD 151	30	35	48	65	68	73	80	80
AMD 152	34	41	55	69	74	80	90	90
AMD 301	87	102	118	125	130	170	190	190
AMD 302	92	110	125	135	150	188	205	205
AMD 601	190	242	270	280	290	325	360	360
AMD 602	205	255	283	292	305	340	375	375
AMD 801	190	242	270	280	290	325	360	360
AMD 802	205	255	283	292	305	340	375	375

The reference fluid has a kinematic viscosity of 30 cSt and a density of 0,86 Kg/dm³.
For different oil viscosity please contact our Sales Department for further information.

DIRT HOLDING CAPACITY

(g) ISO MTD $\Delta p = 400$ kPa (4 bar)

Type	Filter Media			
	FT	FC	FD	FV
CCA 151...	12,3	17,2	19,6	30,0
CCA 152...	20,8	29,2	33,3	50,4
CCA 301...	25,5	35,7	40,9	62,3
CCA 302...	33,8	47,3	53,8	82,5

FILTER AREA

(cm²)

Filter Media			
MS	MN	CD	CV
980	980	3305	3305
1390	1390	4745	4745
1940	1940	5560	5560
2570	2570	7360	7360