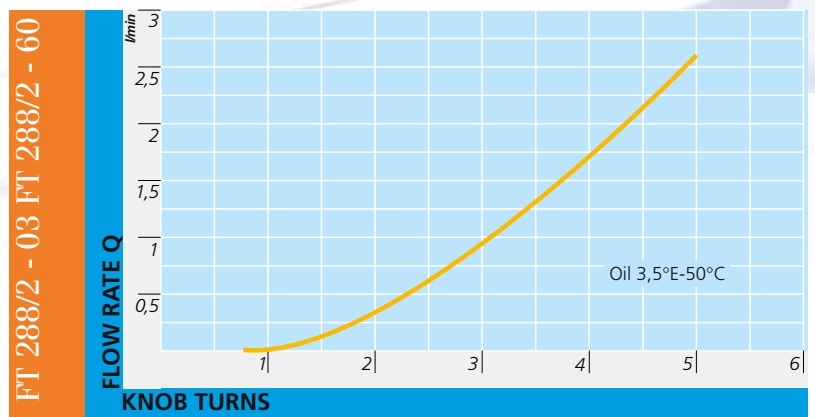
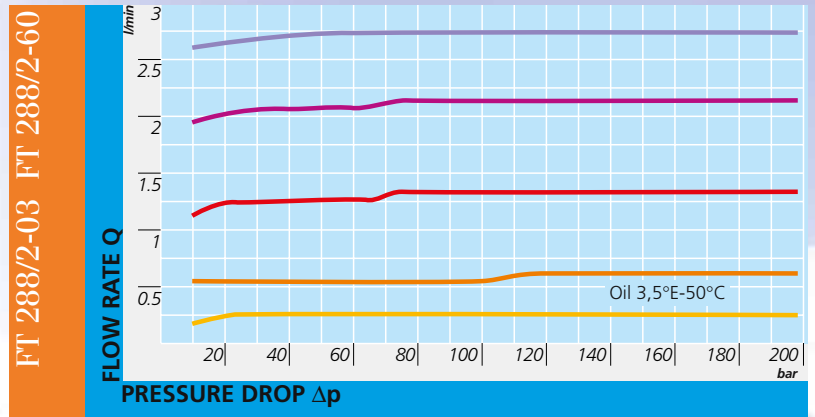


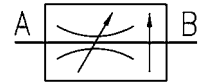


MATERIALS

VALVE BODY	1 1 S MN Pb 30 - UNI EN 10087
ADJUSTING	1 1 S MN Pb 30 - UNI EN 10087
COMPENSATION	STEEL 38 Ni CR Mo 5 - UNI EN 10083 HEAT TREATED
HANDWHEEL	GD AL SI - UNI EN AB 46100
NIPPLE	NYLON 6
OR	NITRILE
ANTIEXTRUSION RINGS	PTFE

All components are surface treated and protected





PRESSURE COMPENSATED MICROFINE FLOW CONTROL PLATE VALVES

They are the equivalent version with panel mounting as the regulators series FT 297/2 with threaded cartridge.
 Suitable for the adjustment of reduced flow rate with a high precision and stability level. They are provided with plate connections mod. CETOP 03 or interchangeable with the broadly used valves. The connection seals are equipped in series. The sealings are supplied in series.
 Max. working pressure 250 bar.

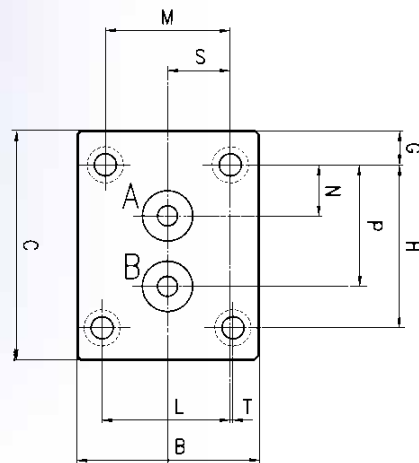
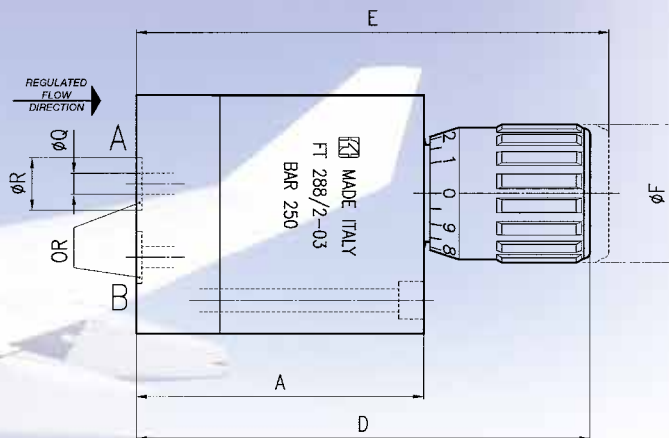


FT 288/2



EXAMPLE FOR ORDERING

CODE	TYPE
FT 288/2	60



DIMENSIONS

TYPE	A	B	C	D	E	ØF	G	H	L	M	N	P	ØQ	ØR	S	T	OR	SCREW	WEIGHT KG
03	69	45	57	109	113,5	33	8,5	40,5	31,75	31	12,7	30,5	5	12,5	15,5	0,75	2037	M5x75	1,285
60	69	45	57	109	113,5	33	8,5	40,5	31,75	31	10	33	6	17,2	15,5	0,75	2056	M5x75	1,270